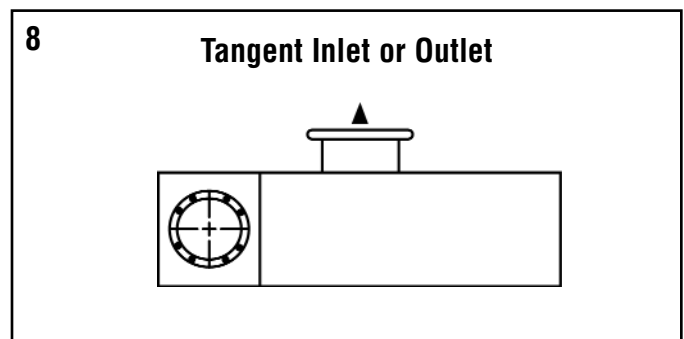
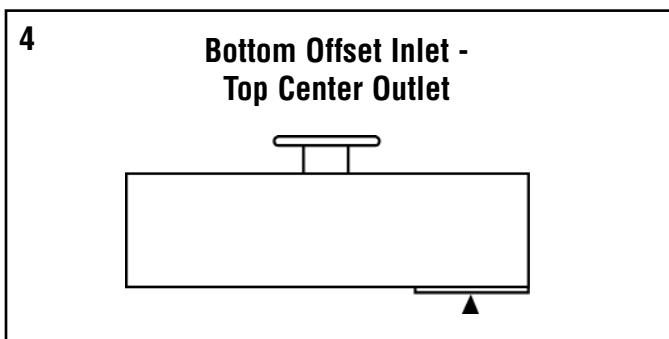
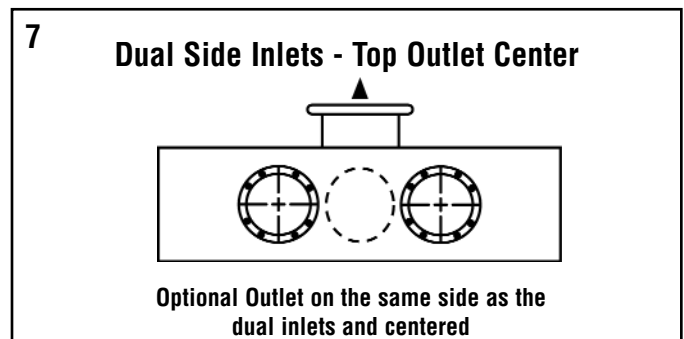
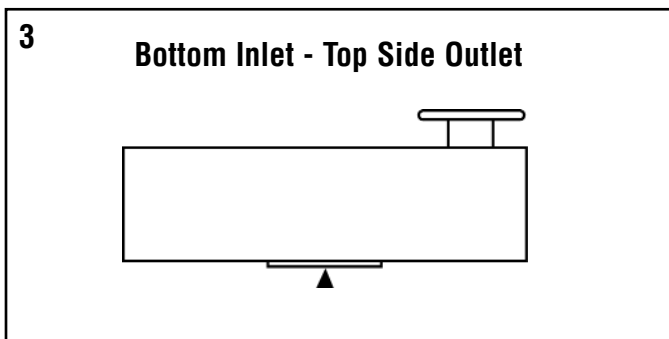
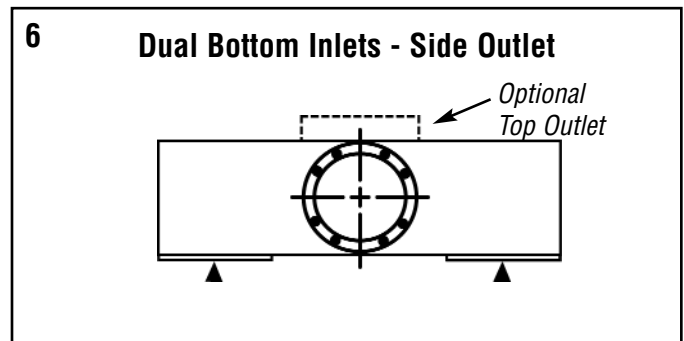
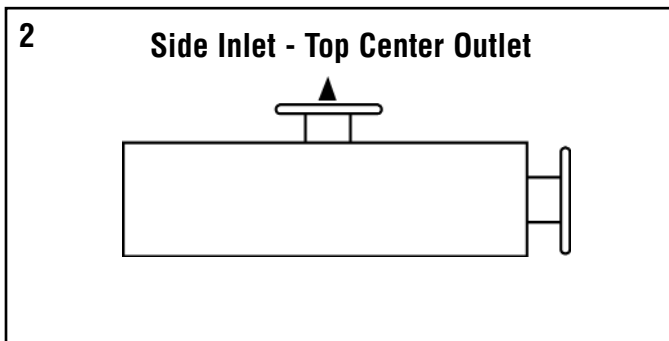
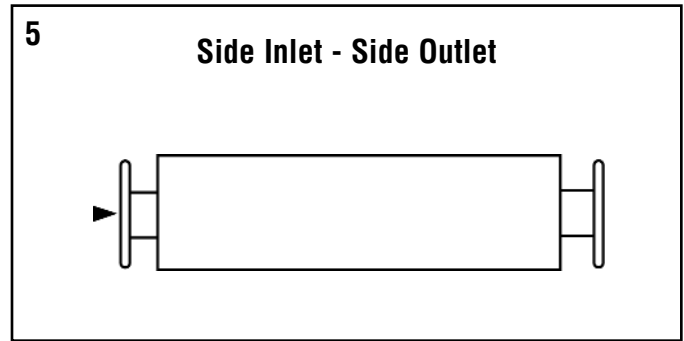
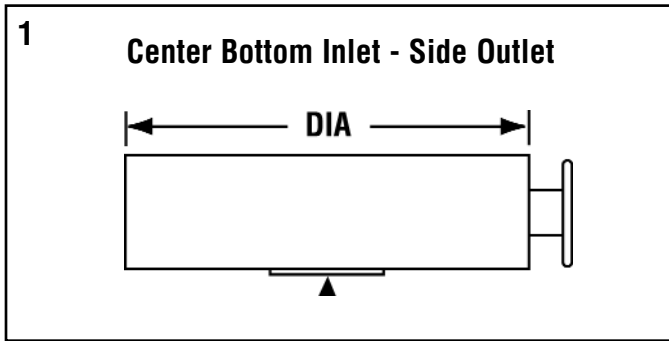


HAPCO
Low Profile Design RFH, CFH and SFH Series
Inlet / Outlet Configuration Options



NOTE:
 Dual inlets and rectangular outlets are available as an option for additional space savings.
 Rectangular piping, gaskets and rain caps are available where required

NOTE:
#6 - #8 Additional Cost