

HAPCO
LPRS Series
Rectangular Low Profile

LPRS Series

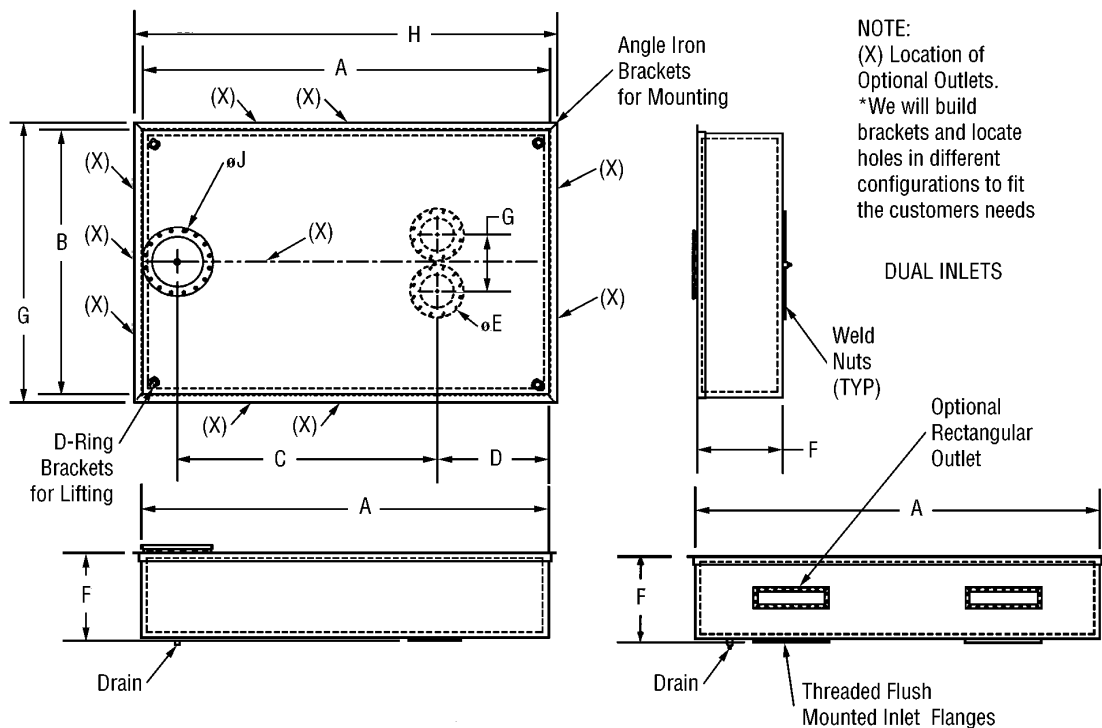
The HAPCO Low Profile engine exhaust silencer is designed in a rectangular format to be used as part of the roof structure on generator enclosures and where the silencer envelope is limited.

Features:

- Rectangular silencers are available for all engines. Call for prices, sizes and availability
- Recommended for Critical Grade and Super Critical applications
- Insulated internally
- A particulate trap can be designed into the silencer with access doors

Information needed when ordering:

- Engine type
- CFM
- Exhaust temperature of engine
- Maximum back pressure allowed by manufacturer
- What type of structure the silencer will be installed into
- The envelope or space that is available for the silencer
- Noise specification required at a prescribed distance



All the dimension letters necessary to identify the size of the silencer. Please refer to this page when placing an order. INLETS or OUTLETS can have different locations, depending on the engine and other elements.

When ordering a silencer with rectangular Inlet or Outlet ducts, please contact HARCO Manufacturing's Engineering Department for duct size and components. Components consist of rectangular 90 degree elbows, gaskets, insulated flange ducting and weather stop.